



PTZ Mover® Robotic PTZ Camera Stand PN 6908

A remotely-operated, telescoping PTZ camera stand which allows the user to conceal a camera or simulate realistic dynamic jib/dolly shots in any orientation.



Four standard travel versions:
6", 12", 18", 24" (24" shown)

Various mounting configurations:
floor (offset floor version shown),
wall or ceiling (grid tubing or Unistrut)

Various control methods:
1. PTZ camera controller(PTZ Mover-IP option)
2. Windows-based PC Graphical Interface
3. Hand-held remote (shown)

Advantages:

- Permits quiet and discreet placement of PTZ cameras in concert venues, houses of worship, education and business settings.
- PTZ cameras can also be retracted within ceiling/plenum spaces for security and insurance purposes
- Adapts to any PTZ camera system
- Three methods of control
 - Most PTZ camera controllers (PTZ Mover-IP option)
 - Handheld Remote with 4 preset positions
 - PC based application, (optional USB/RS485 converter box required)
- Helical cable management system
- Simple user interface options
- Reliable, cost effective and proven design
- Handheld Remote allows up to 8 daisy-chained units using standard RJ45 ethernet cables

What's Included in Standard Kit:

- Robotic PTZ camera stand (qty. 1)
- PTZ camera mounting plate assembly (4.00" diameter) with 1/4"-20 Truss Head Screw for camera mounting
- Power Supply with 6' power cable

Optional:

- Handheld Remote with backlit LCD, and 4 pre-set/learn keys for height.
- 50 Foot RJ45 Ethernet cable for hand-held remote
- USB/RS485 converter box for PC control

PTZ Mover® Specifications

Total Travel	See Sheet 3
Extended/Retracted Height, from mounting plate to top of stand	See Sheet 3
User Interface	Allows most standard PTZ camera controllers that conform to VISCA/IP or VISCA/Serial standard which includes most popular PTZ camera controllers such as Sony, PTZOptics, Skaarhoj, Ross, etc. An optional Handheld remote with 4 preset positions is also available
Input Power	AC, 100-240 50/60Hz 100W. Red power indicator lamp
Speed	Variable, max of 4"/second
Weight Limit	20 lbs
Control	With optional Handheld remote control. 1" increment per travel steps 4 preset positions
Stand Tubing	Black anodize, small profile diameters (.875" diam small tube, 1.25" diam large tube)
Operate 1-8 stands independently or in unison	Control method dependent with optional hand-held remote control
Stand Cabling	RJ45 Ethernet cables 1000' max from remote to stand
PTZ Camera Controller Compatible	Most PTZ camera controllers
Weight	8 lbs (14 lbs with optional 3/8" thick Baseplate)

PTZ Mover® Accessories

Shaft Extenders, 12" and 18"	PNEX-1000-12 OR PN EX-1000-18
Baseplate, 14.5" diameter, 3/8" thick with center mounting or off-set mounting options	PN STB-1001M
Baseplate, 14.5" diameter, 5/8" thick with center mounting or off-set mounting options	PN STB-1002M
Ceiling mounts with mounting hardware to accommodate 1-1/2" studio grids, truss or Uni-Strut	PNSTB-1012
Wall mount hardware for angular attachment	PN STB-1010
USB/RS485 converter for Windows-based PC control	PN 6912 (comes with PresenterTek's free control software).

TeleStepper®/PTZ stands are compliant with the following standards:

Safety: EN62368-1:2014+A11:2017 and EMC

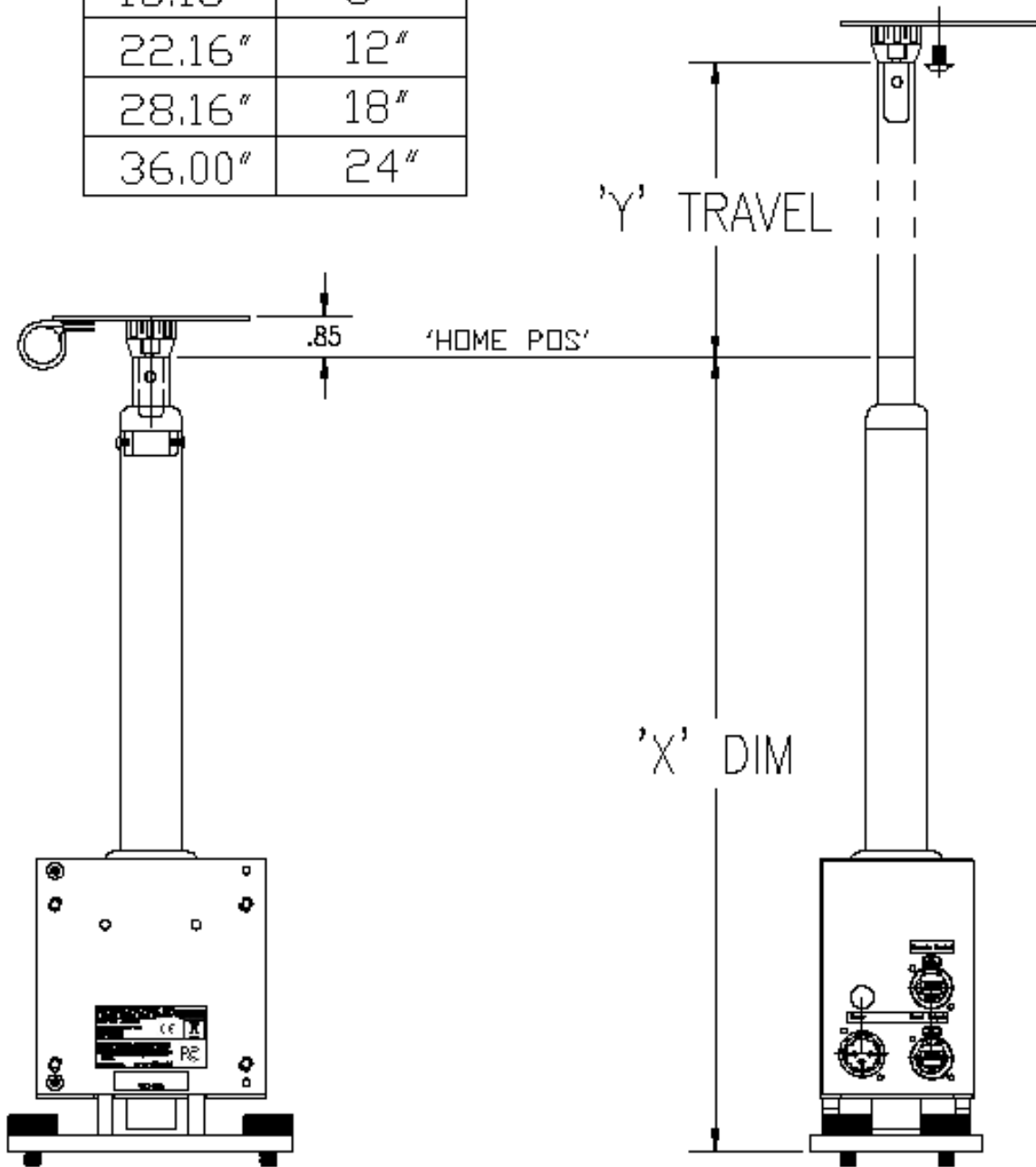
Emissions: EN 55032:2015/AC:2016-07

Immunity: EN 61000-3-2:2014 , EN 61000-3-3:2013 , EN 55035:2017

CE Declaration

TeleStepper®/PTZ stands are compliant with all applicable directives necessary for declaration of conformity. All models are RoHS compliant with CE mark affixed.

'X' DIM	'Y' TRAVEL
16.16"	6"
22.16"	12"
28.16"	18"
36.00"	24"



(FLOOR, CEILING and ADJUSTABLE ANGULAR WALL BRACKETS NOT SHOWN)